

- 1
- 2
- 3
- 4
- 5
- 6
- 7
- 8
- 9
- 10
- 11
- 12
- 13
- 14
- 15
- 16
- 17
- 18

MATERIAL

Cast aluminium, epoxy resin coating, matte finish.

CENTRE CAP

Glass-fibre reinforced polyamide-based (PA)technopolymer, colour light grey.

STANDARD EXECUTIONS

H7 reamed hole.

- **GN 924-A:** without handle.
- **GN 924-R:** with revolving handle in polyamide based (PA) technopolymer, black colour, matte finish.
- **GN 924.3:** with fold-away handle in polyamide based (PA) technopolymer, black colour, matte finish.
- **GN 924.7:** with safety fold-away handle in polyamide based (PA) technopolymer, black colour, matte finish.

Colour index:

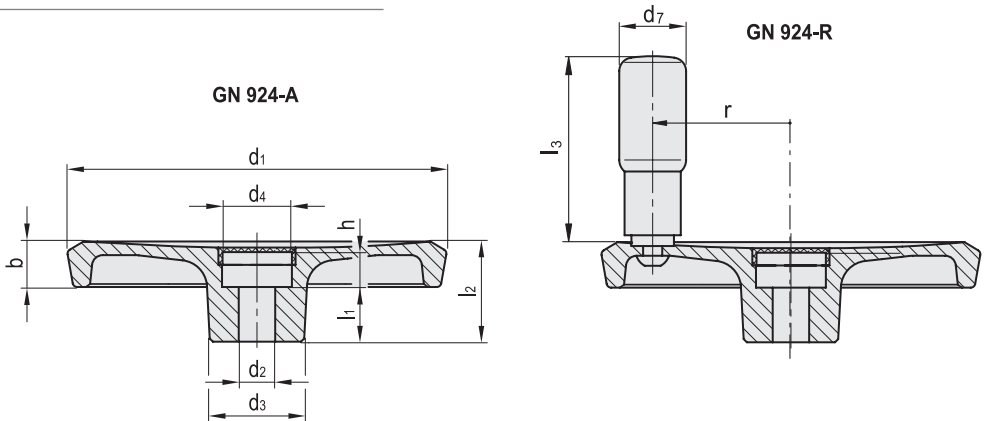
- **SW:** RAL 9005 black colour.
- **SR:** RAL 9006 light grey colour.

ACCESSORIES ON REQUEST

Axial retaining washer GN 184 (see page 1021).

SPECIAL EXECUTIONS ON REQUEST

Handwheels with keyway in compliance with DIN 6885/1 tolerance P9 (see page A-15).



GN 924-A

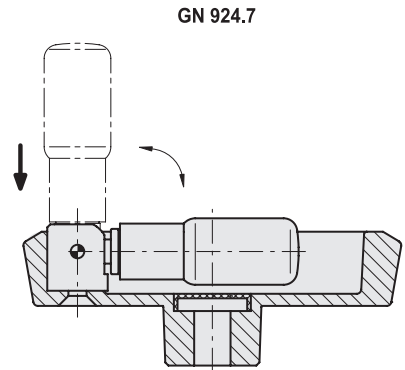
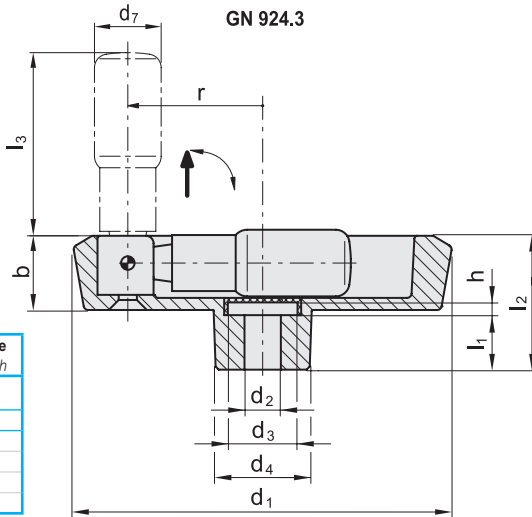
Code	Description	Code	Description	d1	d2 H7	d3	d4	b	h	l1	l2	Washer	Δ
GN.68372	GN 924-125-B12-A-SW	GN.68371	GN 924-125-B12-A-SR	125	12	31	23	15	11	18	33.5	GN 184-20	255
GN.68374	GN 924-125-B14-A-SW	GN.68373	GN 924-125-B14-A-SR	125	14	31	23	15	11	18	33.5	GN 184-20	251
GN.68376	GN 924-140-B14-A-SW	GN.68375	GN 924-140-B14-A-SR	140	14	36	28.5	16.5	13	19	36.5	GN 184-25	340
GN.68378	GN 924-140-B16-A-SW	GN.68377	GN 924-140-B16-A-SR	140	16	36	28.5	16.5	13	19	36.5	GN 184-25	340
GN.68380	GN 924-160-B14-A-SW	GN.68379	GN 924-160-B14-A-SR	160	14	36	28.5	18	14.5	20	39.5	GN 184-25	460
GN.68382	GN 924-160-B16-A-SW	GN.68381	GN 924-160-B16-A-SR	160	16	36	28.5	18	14.5	20	39.5	GN 184-25	460
GN.68384	GN 924-200-B18-A-SW	GN.68383	GN 924-200-B18-A-SR	200	18	42	36	20.5	16	24	45.5	GN 184-32	730
GN.68386	GN 924-200-B20-A-SW	GN.68385	GN 924-200-B20-A-SR	200	20	42	36	20.5	16	24	45.5	GN 184-32	720

GN 924-R

Code	Description	Code	Description	d1	d2 H7	d3	d4	b	h	l1	l2	l3	r	d7	Washer	Δ
GN.68388	GN 924-125-B12-R-SW	GN.68387	GN 924-125-B12-R-SR	125	12	31	23	15	11	18	33.5	61.5	45.5	22	GN 184-20	340
GN.68390	GN 924-125-B14-R-SW	GN.68389	GN 924-125-B14-R-SR	125	14	31	23	15	11	18	33.5	61.5	45.5	22	GN 184-20	338
GN.68392	GN 924-140-B14-R-SW	GN.68391	GN 924-140-B14-R-SR	140	14	36	28.5	16.5	13	19	36.5	76.5	61	24	GN 184-25	450
GN.68394	GN 924-140-B16-R-SW	GN.68393	GN 924-140-B16-R-SR	140	16	36	28.5	16.5	13	19	36.5	76.5	61	24	GN 184-25	448
GN.68396	GN 924-160-B14-R-SW	GN.68395	GN 924-160-B14-R-SR	160	14	36	28.5	18	14.5	20	39.5	76.5	61	24	GN 184-25	560
GN.68398	GN 924-160-B16-R-SW	GN.68397	GN 924-160-B16-R-SR	160	16	36	28.5	18	14.5	20	39.5	76.5	61	24	GN 184-25	558
GN.68400	GN 924-200-B18-R-SW	GN.68399	GN 924-200-B18-R-SR	200	18	42	36	20.5	16	24	45.5	85	77.5	25	GN 188-32	890
GN.68402	GN 924-200-B20-R-SW	GN.68401	GN 924-200-B20-R-SR	200	20	42	36	20.5	16	24	45.5	85	77.5	25	GN 184-32	920



Conversion Table	
1 mm = 0.039 inch	
d1	
mm	inch
125	4.92
140	5.51
160	6.30
200	7.87



GN 924.3

METRIC

Code	Description	Code	Description	d1	d2H7	d3	d4	b	h	l1	l2	l3	r	d7	Washer	⚖
GN.68412	GN 924.3-125-B12-R-SW	GN.68411	GN 924.3-125-B12-R-SR	125	12	23	31	24.5	4	18	45	60.5	45.5	22	GN 184-20	465
GN.68414	GN 924.3-125-B14-R-SW	GN.68413	GN 924.3-125-B14-R-SR	125	14	23	36	26	4	19	47	60.5	45.5	24	GN 184-20	600
GN.68416	GN 924.3-140-B14-R-SW	GN.68415	GN 924.3-140-B14-R-SR	140	14	23	36	26	4	19	47	75.5	52	24	GN 184-25	600
GN.68418	GN 924.3-140-B16-R-SW	GN.68417	GN 924.3-140-B16-R-SR	140	16	23	36	26	4	19	47	75.5	52	24	GN 184-25	600
GN.68420	GN 924.3-160-B14-R-SW	GN.68419	GN 924.3-160-B14-R-SR	160	14	23	36	26	4	20	48	75.5	61	24	GN 184-25	700
GN.68422	GN 924.3-160-B16-R-SW	GN.68421	GN 924.3-160-B16-R-SR	160	16	23	36	26	4	20	48	75.5	61	24	GN 184-25	700
GN.68424	GN 924.3-200-B18-R-SW	GN.68423	GN 924.3-200-B18-R-SR	200	18	23	42	27	4	24	53	85.5	80.5	25	GN 184-32	900
GN.68426	GN 924.3-200-B20-R-SW	GN.68425	GN 924.3-200-B20-R-SR	200	20	23	42	27	4	24	53	85.5	80.5	25	GN 184-32	1650

GN 924.7

Code	Description	Code	Description	d1	d2H7	d3	d4	b	h	l1	l2	l3	r	d7	Washer	⚖
GN.68432	GN 924.7-125-B12-R-SW	GN.68431	GN 924.7-125-B12-R-SR	125	12	23	31	24.5	4	18	45	62	45.5	22	GN 184-20	465
GN.68434	GN 924.7-125-B14-R-SW	GN.68433	GN 924.7-125-B14-R-SR	125	14	23	31	24.5	4	18	45	62	45.5	22	GN 184-20	450
GN.68436	GN 924.7-140-B14-R-SW	GN.68435	GN 924.7-140-B14-R-SR	140	14	23	36	26	4	19	47	77.5	52	24	GN 184-25	600
GN.68438	GN 924.7-140-B16-R-SW	GN.68437	GN 924.7-140-B16-R-SR	140	16	23	36	26	4	19	47	77.5	52	24	GN 184-25	600
GN.68440	GN 924.7-160-B14-R-SW	GN.68439	GN 924.7-160-B14-R-SR	160	14	23	36	26	4	20	48	77.5	61	24	GN 184-25	700
GN.68442	GN 924.7-160-B16-R-SW	GN.68441	GN 924.7-160-B16-R-SR	160	16	23	36	26	4	20	48	77.5	61	24	GN 184-25	700
GN.68444	GN 924.7-200-B18-R-SW	GN.68443	GN 924.7-200-B18-R-SR	200	18	23	42	27	4	24	53	87.5	80.5	25	GN 184-32	900
GN.68446	GN 924.7-200-B20-R-SW	GN.68445	GN 924.7-200-B20-R-SR	200	20	23	42	27	4	24	53	87.5	80.5	25	GN 184-32	1650

Operating elements